



## ***Plate Preparation Conveyors***

***Increase the efficiency of your food presentation deliveries with this automated conveyor line***

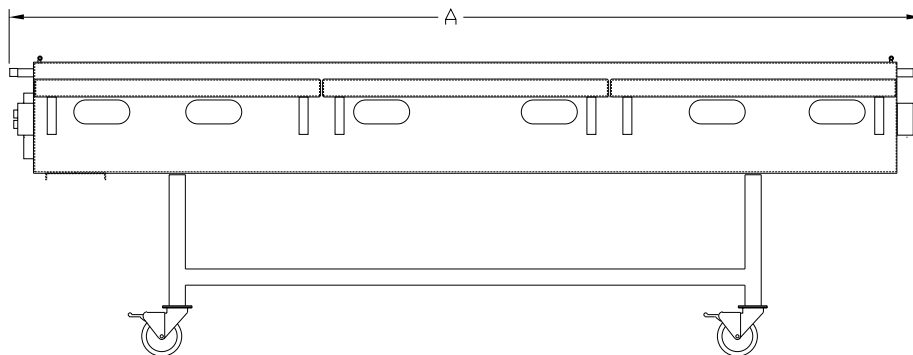
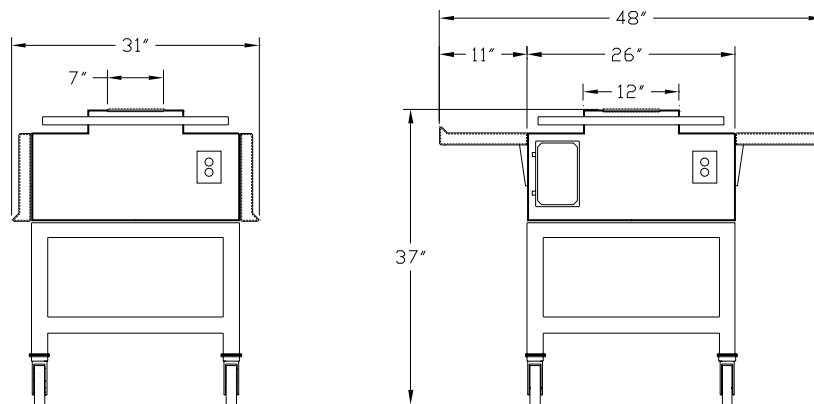


### **Features and Benefits**

- Variable speed conveyor with automatic and manual start stop devices to control plate flow
- Sanitary design that can be hosed down for quick easy clean up
- Assembly stations that fold down for storage when not in use
- Easily portable to use where needed.
- Stainless steel construction, built to last

PLATE PREPARATION CONVEYOR		
MODEL	Number of Stations	Overall Length (A)
PPC4	4	6' - 6"
PPC6	6	9' - 6"
PPC8	8	12' - 6"
PPC10	10	15' - 6"

Specifications
Independant 3' work stations
Rugged 14 gauge, 304 stainless steel construction
Sanitary wash down design featuring clean out holes
Plastic modular belt that can be raised for cleaning
Variable speed
1/2 HP wash down motor and speed reducer, 110 V AC/1 ph/ 60hz
Limit switches at both ends of the conveyor belt
Portable design with locking casters
Adjustable height 37"+/-2" to top of belt



PPC6 Shown